

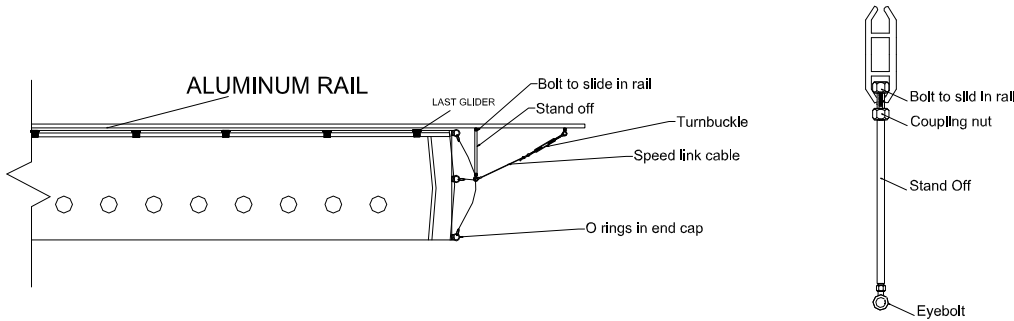
Halo Suspension Instructions for HD rail

When using the Halo suspension system in association with the standard HD rail system follow the standard installation instructions for the HD rail system. After the rail system is installed follow the directions in step three. The only difference in installation is the anchoring of the end cap. This is the key to keep the diffuser looking generally inflated when an air handling system is off.

The System is supplied with internal rings that helps keep the round shape of the diffuser. There is a zipper connection at each end of every duct section. To keep the fabric between the rings looking open there must be tension on the fabric.

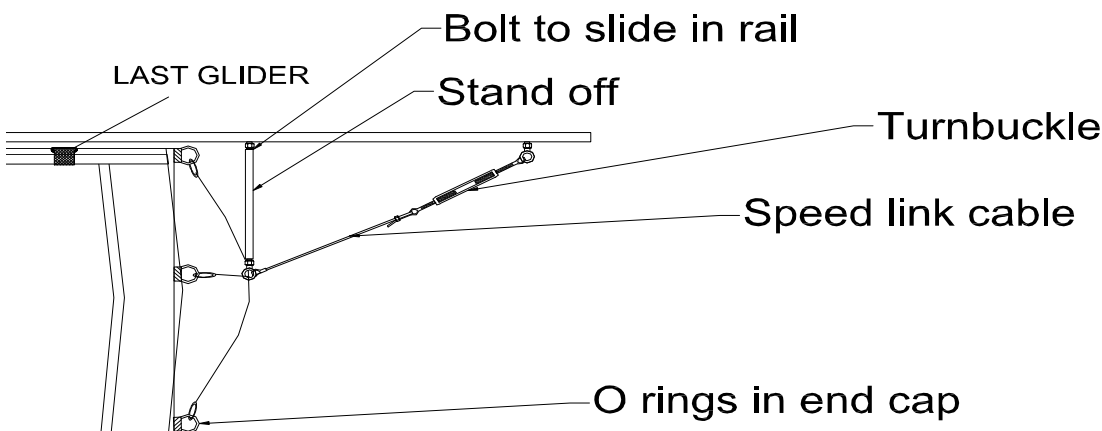
First we recommend if possible inflate the system without the end cap anchored. Make sure the diffuser looks straight and there problems with appearance and no flapping. A sheet metal screw used in a HD system is not needed with the Halo option. (See step 4, startup)

Anchoring the end cap: The end cap is supplied with 4 O rings and cables. Tension on the center point pulls the fabric tight and with the help of the internal rings gives the appearance of the diffuser being inflated when the air handling system is off. Slide the top bolt head of the standoff down the rail and position perpendicular to the center point of the cables in the end cap. If you have to you can unbolt the bolt head from the coupling nut slide the bolt down to the desired location and reconnect to the coupling nut. By tightening the coupling nut the bolt head will lock in position inside the rail.



Next slide the nut end of short eyebolt down the rail after the standoff. Then connect the turnbuckle to the eyebolt a speed link cable from the eyebolt of the standoff to the turnbuckle. Make sure the turnbuckle is fully open. Make sure the angle back to the end cap from the eyebolt in the rail is about a 30 degree angle. The eyebolt and the standoff might have to be adjusted to accomplish this. Tighten up the speed link cable.

Now you can tighten up the turnbuckle to pull tension on the diffuser. Make sure the worm gear band at the beginning of the diffuser is tight. The option of screws through the band to the sheet metal collar is recommended. Next, turn off the air handler. The diffuser should look about 80% open or more. If not, pull on the end cap to adjust and tighten up the turnbuckle. You might have to adjust the location of the standoff and end cap anchoring system.



With the Halo suspension system sections can be taken down and washed if necessary without removing the rings. The diffuser has a zipper every 6' to 10' which makes cleaning easy.